

**OWNER'S MANUAL**  
SAFETY INSTRUCTIONS ENCLOSED

**Please Read & Keep These Instructions with the Fan**



**BL 6800**

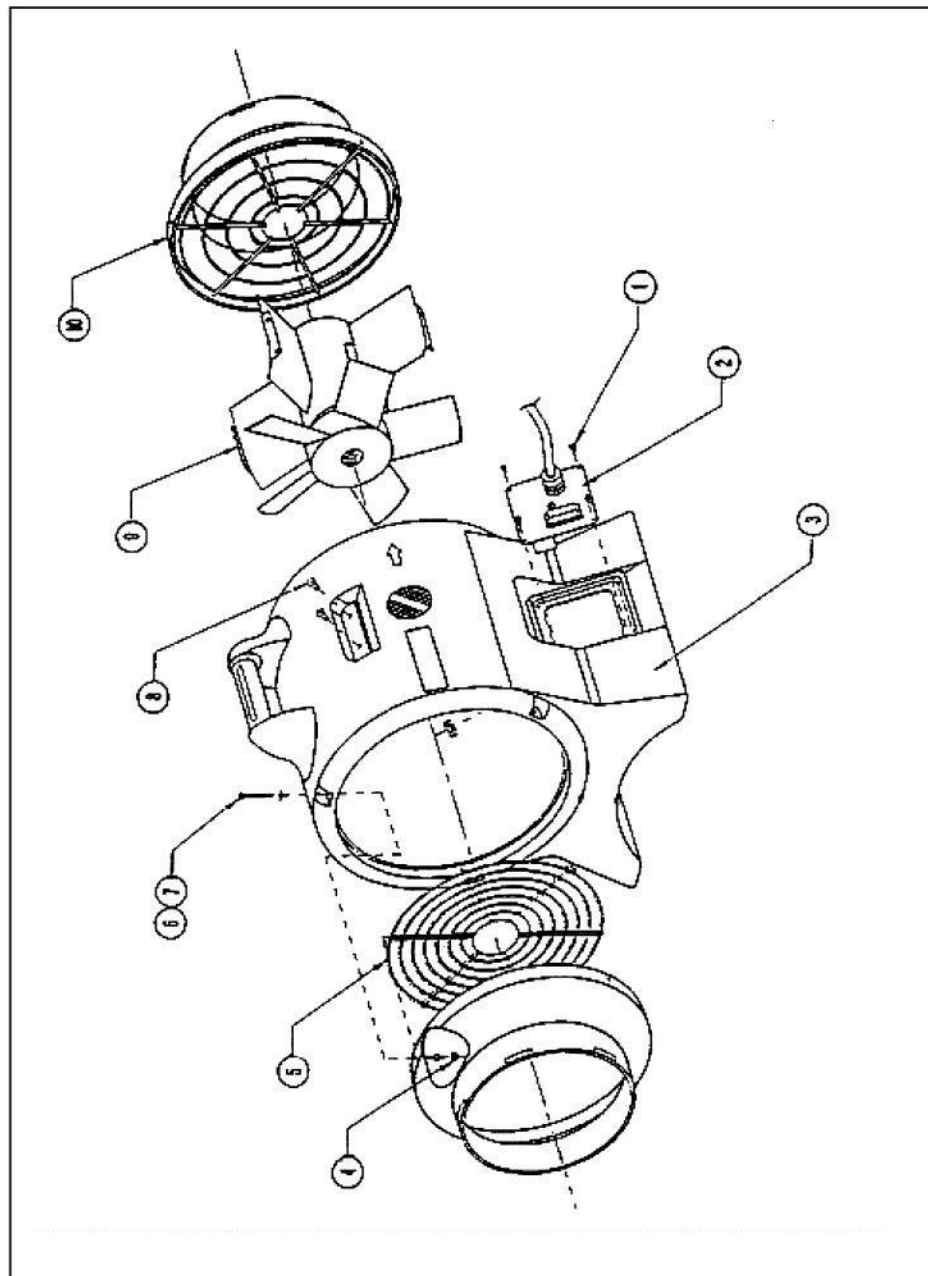
Item	Each	Description
1	1	Phil Pan HD Screw
2	1	Switch Plate
3	1	Shell Housing Chrome Yellow
4	1	Nut
5	1	Grill
6	1	Screw
7	1	Washer
8	1	3/16 Alum Rivet Anodized
9	1	Motor
10	1	Fan Blade
		Duct Ring 8"

(Refer to item # on pictorial breakdown)

**FAN TROUBLE SHOOTING**

CAUTION: All service procedures should be executed with the unit unplugged.

PROBLEM	CAUSE	SOLUTION
Unit will not run.	1. No power to unit. 2. Switch not on. 3. Switch is faulty. 4. Faulty/broken cord or motor wire.	1. Plug unit in. Check circuit breaker. 2. Place in "ON" position. 3. Replace switch. 4. Perform continuity check, using voltmeter. Repair/replace faulty/broken wire.
Unit runs but fan makes loud scraping noise.	1. Unit has been severely jolted causing fan to rub against housing. 2. Unit has been severely jolted causing housing to deform.	1. Remove motor and replace damaged motor mounts. 2. Replace housing/unit as necessary.
Unit runs but vibrates excessively.	1. Severe jolt has bent motor shaft causing unit to be out of balance. 2. Fan blade damaged. 3. Dirt build up on one side of fan blade.	1. Remove and replace motor. Replace fan blade if necessary. 2. Replace fan blade. 3. Clean fan blade.
Unit runs but fan does not turn.	1. Fan is jammed against housing. 2. Capacitor wire has broken/come loose, capacitor has failed. 3. Housing has been damaged such that it presses on the fan blade.	1. Remove motor and replace damaged motor mounts. Replace fan blade if necessary. 2. Repair/replace wires/capacitor as necessary. 3. Replace housing/unit as necessary.
Unit runs briefly, then shuts off on overload.	1. Motor/bearings are failing, or motor has developed an internal electric fault. 2. Intake grill and/or exhaust grill is obstructed. 3. Excessive duct length.	1. Replace motor. 2. Remove obstruction. 3. Reduce duct length to recommended maximum.



**SAFETY PRECAUTIONS**

**DANGER**

THE FAN IS DESIGNED FOR PORTABLE AIR VENTILATION PURPOSES ONLY. THE FAN IS NOT DESIGNED FOR TRANSPORTING LIQUID OR SEMI-SOLID MATERIALS. THE ELECTRIC MOTOR AND FAN HOUSING ARE NOT DESIGNED FOR OPERATION IN AN EXPLOSIVE OR FLAMMABLE ATMOSPHERE. OPERATION OF THE FAN IN AN EXPLOSIVE OR FLAMMABLE ATMOSPHERE MAY RESULT IN PROPERTY DAMAGE, PERSONAL INJURY OR EYEN DEATH. INCORRECT USE OF THE FAN CAN RESULT IN AN ELECTRICAL SHOCK AND/OR ELECTROCUTION. ALWAYS OPERATE THE FAN IN COMPLIANCE WITH CURRENT OSHA AND NATIONAL ELECTRIC CODE REGULATIONS.

**DANGER**

INCORRECT USE OF THE FAN CAN RESULT IN PROPERTY DAMAGE, PERSONAL INJURY OR EVEN DEATH. TO REDUCE THIS RISK, GIVE COMPLETE AND UNDIVIDED ATTENTION TO THE JOB AT HAND. AN ENVIRONMENT WHERE THE ATMOSPHERE CONSTANTLY CHANGES, THEREFORE, IT'S RECOMMENDED THAT AIR MONITORING/ GAS DETECTION EQUIPMENT BE USED FREQUENTLY. IF TESTS SHOW THAT THE ATMOSPHERE QUALIFIES AS A HAZARDOUS LOCATION (AN AREA WHERE THE POSSIBILITY OF EXPLOSION AND FIRE IS CREATED BY THE PRESENCE OF COMBUSTIBLE LIQUIDS, FLAMMABLE GASES, VAPORS, DUST, FIBERS, FLAMES OR FILINGS.) DO NOT USE THIS FAN. READ AND UNDERSTAND THE FOLLOWING PREPARATION ITEMS AND GENERAL SAFETY INFORMATION.

**GENERAL SAFETY INFORMATION**

- 1) Never place the Fan in standing water because of extreme shock hazard.
- 2) Never allow air intake grill to become blocked.
- 3) Never discharge flammable solvents or kerosene based chemicals through the Fan air intake grill.
- 4) Do not use the Fan in areas where flammable or combustible liquids, gases, vapors, dust, fibers, or filings may be present.
- 5) Never put any object in the air intake grill.
- 6) Never run the Fan outside when it is raining. Never store the Fan outdoors.
- 7) Do not use the Fan as a toy.
- 8) Use the Fan only with a properly grounded outlet.
- 9) Unplug the Fan from outlet when not in use and before servicing.

Note: When you use the fan, please connect power at first, then press red button. When you finish work, please press red button at first then evulsion power plug.

**WARNING:** To reduce the risk of fire or electric shock, do not use this fan with any solid state speed control device.

**GENERAL SAFETY INFO. (CONT'D)**

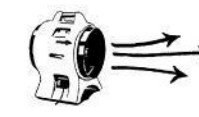
- 10) Do not use the Fan with a damaged cord or plug. Do not pull or carry the Fan by its cord, do not use cord as a handle, do not close a door on the cord, and do not pull cord around sharp edges or corners. Keep cord away from heated surfaces. Do not unplug the Fan by pulling on cord, grasp the plug and not the cord. Do not handle the plug or cord with wet hands.
- 11) Keep hair, loose clothing, fingers, and all parts of the body away from the air intake grill.
- 12) Do not allow water inside the motor. If the motor becomes wet for any reason, unplug the Fan and thoroughly dry it before using again.
- 13) Never remove the ground from the power cord or plug, as this may result in electrical shock or electrocution. Removing the ground would void the warranty.

**OPERATION**

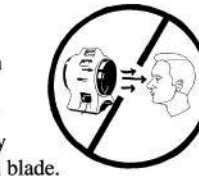
- 1) Your new Fan comes to you completely assembled and ready to operate. Upon removing the Fan from its carton, inspect it for any possible damage in transit.
- 2) Before operating the Fan, please read all the safety Precautions and General Safety Information about the proper and safe use of the Fan.
- 3) Assess your job site, certain job site locations are classified as being hazardous because the atmosphere may contain gas vapor or dust in explosive quantities. **DANGER THE ELECTRIC MOTOR AND FAN HOUSING ARE NOT DESIGNED FOR OPERATION IN AN EXPLOSIVE AND/OR FLAMMABLE ATMOSPHERE OF ANY CLASS OR GROUP. OPERATION OF THE FAN IN AN EXPLOSIVE OR FLAMMABLE ATMOSPHERE MAY RESULT IN PERSONAL INJURY OR DEATH.**
- 4) Locate a properly grounded outlet.
- 5) Prior to plugging in the Fan into a grounded outlet, inspect the inlet and outlet grills and remove debris

which may restrict airflow movement. Never operate the Fan without the inlet and outlet grills properly secured and in place. Never replace the grills with other than factory supplied replacement units.

6) Note the directional airflow indicator on the external shell. This is the way the air moves.



7) Place the Fan on secure footing to prevent it from shifting while in use.



8) Do not stand directly in front of and/or face the Fan outlet. Personal injury can result from being struck by debris thrown at a relatively high velocity from the Fan blade.

9) When ducting is required, do not install duct while Fan is in operation. Place duct lip over the Fan duct adapter, secure firmly, and note direction of the airflow.

10) When duct is used, be aware that the airflow rate decreases as the length of duct increases. Airflow rates will vary with specific duct types and manufactures.

11) Position Fan air inlet away from walls and other obstructions to allow for maximum air intake

12) For safe operation, use the Fan only in combination with thorough gas detection tests and continual retesting.

**DANGER**

ALWAYS ASSUME A CONFINED SPACE WORK AREA IS CONTAMINATED UNTIL IT HAS BEEN PROVEN SAFE FOR WORK PERSONNEL. NEVER ENTER A CONFINED SPACE WORK AREA UNTIL IT HAS BEEN THOROUGHLY TESTED WITH APPROPRIATE GAS DETECTION EQUIPMENT AND PROVEN SAFE FOR WORK PERSONNEL.

**MAINTENANCE**

**DANGER**

ALWAYS SHUT OFF THE FAN AND UNPLUG IT FROM ITS POWER SOURCE TO PREVENT ACCIDENTAL STARTING AND THE POSSIBILITY OF ELECTRICAL SHOCK AND/OR ELECTROCUTION. BE SURE THE FAN BLADE HAS STOPPED ROTATING BEFORE PLACING ANY OBJECTS OR FINGERS NEAR THE FAN GRILL.

1. Visually check all fastners and individual components for loose or broken parts. Tighten or replace items, as required, only with genuine, factory approved replacement parts.

2. Keep the Fan blade clean from debris. Accumulation of dust, dirt, paint, etc. on the Fan blade will throw the blade rotation out of balance resulting in damage. To clean the Fan blade, be sure the plug is disconnected and the blade has stopped rotating. Remove one grill and wipe blade and interior shell housing clean of debris with a damp cloth and mild liquid soap. Dry all parts thoroughly. DO NOT PRESSURE WASH THE FAN. Replace grill prior to next operation.

**DANGER**

DO NOT OPERATE THE FAN WITHOUT THE INLET AND OUTLET GRILL PROPERLY IN PLACE.

**MOTOR SPECIFICATIONS**

Voltage	AC 230V
Frequency	50 Hz
Phase	Single
Electric Motor	1 HP
Current (amps)	7.1
R.P.M	3425
Free Air (cfm)	4000
Max S.P.	3"

**GENERAL INFORMATION & DIMENSIONS**

Type	Axial
Duct adapter	12" dia.
Height	540mm
Width	360mm
Length	450mm
Weight	15kg

**CAUTION**

THE AIR FLOW RATE DECREASES AS THE LENGTH OF DUCT INCREASES FOR BOTH BLOWING AND SUCTION APPLICATIONS. AIR FLOW RATES WILL VARY WITH SPECIFIC DUCT TYPES AND MANUFACTURES.